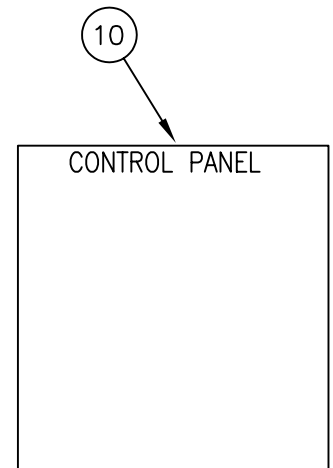
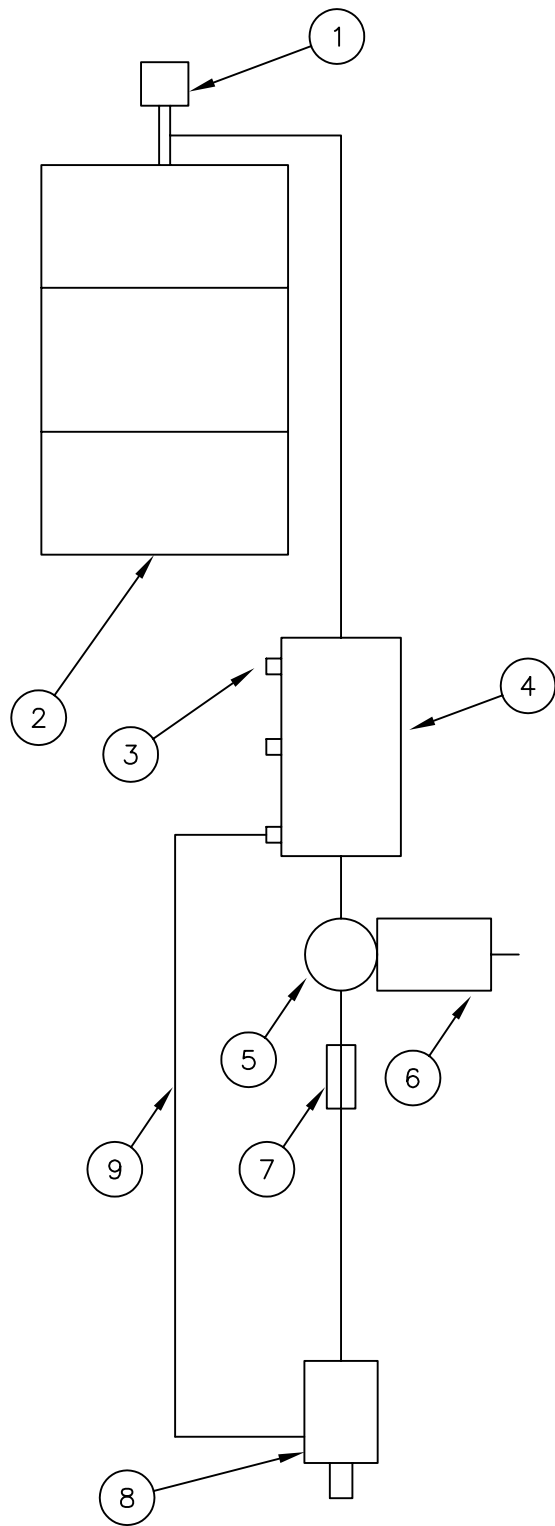


1. Transfer pump
2. Tote
3. Level sensor
4. Day tank
5. Pump
6. Drive motor
7. Valve, flow meter, etc.
8. Dispense valve
9. Circulation
10. Controls/conditioning



SYSTEM LAYOUT, GEAR SINGLE METER

AST CORPORATION
MINNEAPOLIS MN